

# Pro Magnum

a professional performer

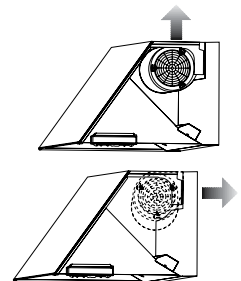
# Professional Collection

- wall canopy rangehood
  - professional styling
  - 3 chimney options
  - 600 cfm for 30" & 36"
  - 1200 cfm for 48"
  - 3 halogen lights for 30" & 36"
  - 4 halogen lights for 48"
  - 3 speed control
  - integrated control panel
  - stainless steel baffle filters
  - convertible to recirculating\*
  - top or direct rear venting
  - built-in mounting system
  - sone range: 4.5 - 7.0
  - 3 1/4" x 10" duct for 30" & 36"
  - 2 - 3 1/4" x 10" ducts for 48"
- \* it is highly recommended that professional style cooking always be vented to the outside.



## FABER

The Pro Magnum offers a good value in the professional ventilation category. Top or direct rear venting and three chimney options make the Pro Magnum the most versatile and easy to install Pro hood on the market.



### Size/Color/Model #

30 Stainless	6059890
36 Stainless	6059891
48 Stainless	6059892

### a 30" High Backsplash

c 30" high, mounts to the wall beneath the rangehood for a coordinated look

c 30 X 30 Stainless	620000095
e 36 X 30 Stainless	620000097
s 48 X 30 Stainless	620000098

### s Duct Transition Kit

s For 48" model only, transitions two 3 1/4" x 10" openings to one 10" round opening

o Galvanized Steel	6000002
--------------------	---------

### r Charcoal Filters

i For recirculating installations, high quality, heavy duty filters ensure the removal of smoke and odors from the kitchen. Some ductwork is required to exhaust the unit out of the cabinet.  
e For 48" model, you must order two of part #6093034, one kit for each motor.  
s



Note: The Pro Magnum comes standard WITHOUT A CHIMNEY. A telescopic chimney kit or full width duct cover is available separately.



### Telescopic Chimney Cover

24" wide, extends to accommodate 8 - 9 foot ceilings

24 Stainless	6097336
--------------	---------

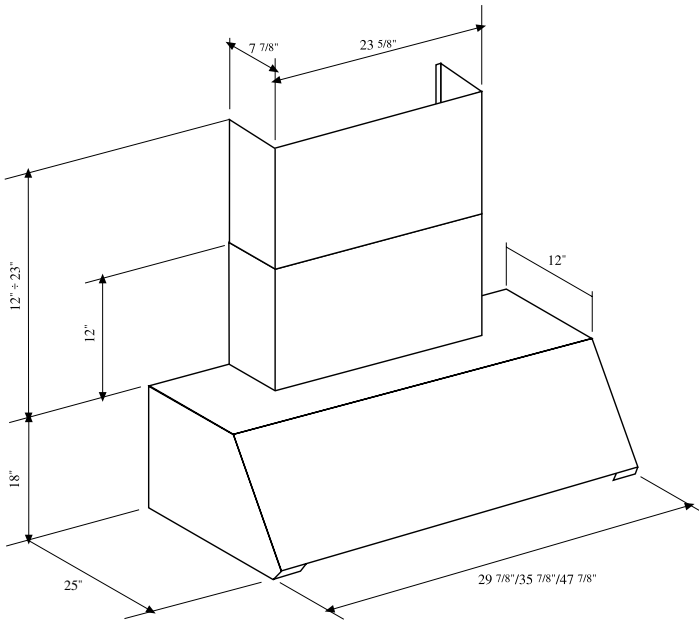


### Full Width Duct Cover

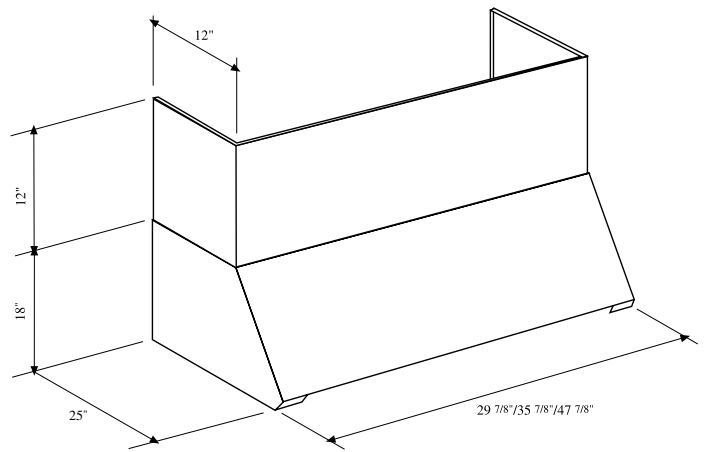
12" high, extends full width of the hood

30 Stainless	6097337
36 Stainless	6097338
48 Stainless	6097339

# Dimensional Diagrams



**WITH TELESCOPIC CHIMNEY KIT**

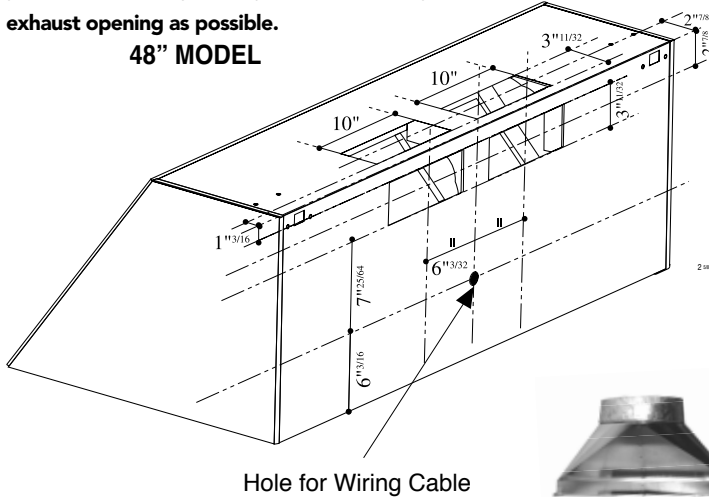


**WITH FULL WIDTH DUCT COVER**

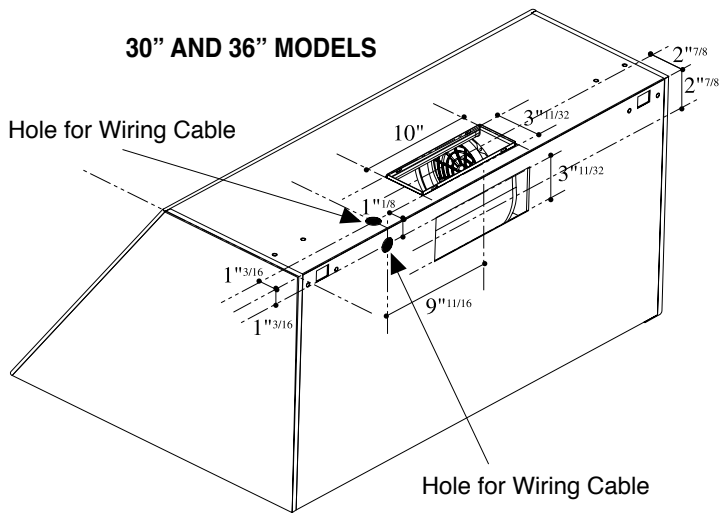
**Pre-Planning Your Ductwork** - Important: Consult the installation instructions before you begin installing this rangehood.

The Pro Magnum can be vented to the top or directly out the back. Make your ductrun as straight and short as possible. The ductrun should not exceed 35 equivalent feet if ducted with 3 1/4" by 10" rectangular duct or 55 equivalent feet if ducted with 10" round ductwork (when using Duct Transition Kit 6000002 for 48" model only). Count 45° angles as 3 feet, 90° elbows as 5 feet, and 90° flat elbows as 12 feet.

For best results, use no more than three 90° elbows. Make sure that there is a minimum of 24" of straight duct between elbows if more than one is used. Do not install two elbows together. If you must elbow right away, do it as far away from the hood's exhaust opening as possible.

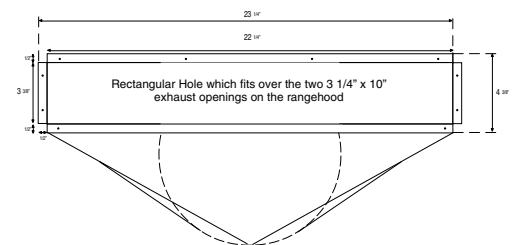
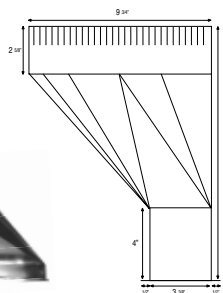


**48" MODEL**



**30" AND 36" MODELS**

**OPTIONAL DUCT TRANSITION KIT DIMENSIONS (48" MODEL ONLY)**



For 48" model, use two 3 1/4" by 10" rectangular duct runs or use the optional Duct Transition Kit shown here. This kit cannot be used with the Telescopic Chimney Cover because it is too large to fit behind the cover. The Duct Transition Kit will fit behind the Full Width Duct Cover.

**WARNING!** Product specifications are subject to change without notification. Consult the installation instructions before you begin installing this rangehood.